

V3 UML

The one-day training is intended to familiarize the participant with CODESYS UML Class Diagram and Implementation language CODESYS UML State Chart. The training targets OEMs and end customers programming with V3 to create object-oriented systems.

PRODUCT DESCRIPTION

The training is performed face-to-face by an instructor. Throughout the training, theoretical parts are followed by practical exercises to facilitate knowledge transfer. Use cases are explored to demonstrate how the tool can be applied.

The participant will become familiar with how CODESYS UML enables a visual usage of object-oriented features such as class diagram. The following class and relation elements in a project structure will be examined:

- Class (POU)
- Interface
- Variable declaration
- Property
- Method
- Generalization (EXTENDS)
- Realization (IMPLEMENTS)
- Association (POINTER)
- Composition (VAR)Product options

Another area of CODESYS UML in the training is the state diagram in which the participant will become familiar with a range of state and transition elements:

- Start state
- End state
- State
- Composite
- Fork / Join
- Choose
- Transition
- Completion transition
- Exception transition

The skills learned in the training can be used to reduce programming errors and increase code quality, as well as simplify code maintenance.

PRODUCT OPTIONS

The training can also be customized to focus on imparting deeper knowledge of specific areas of CODESYS UML as required by the customer.

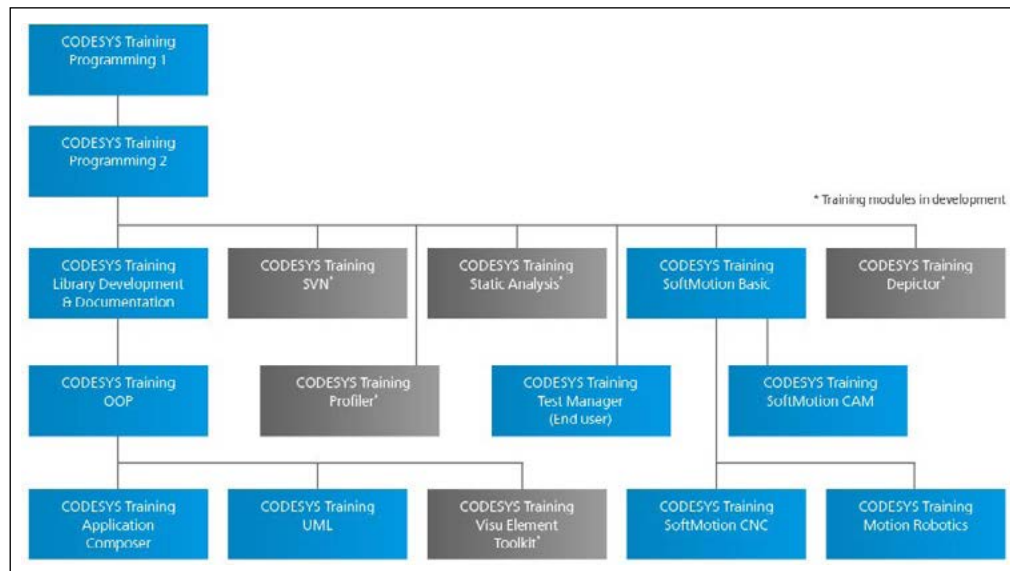


Figure1: Overview of all CODESYS Trainings offered.

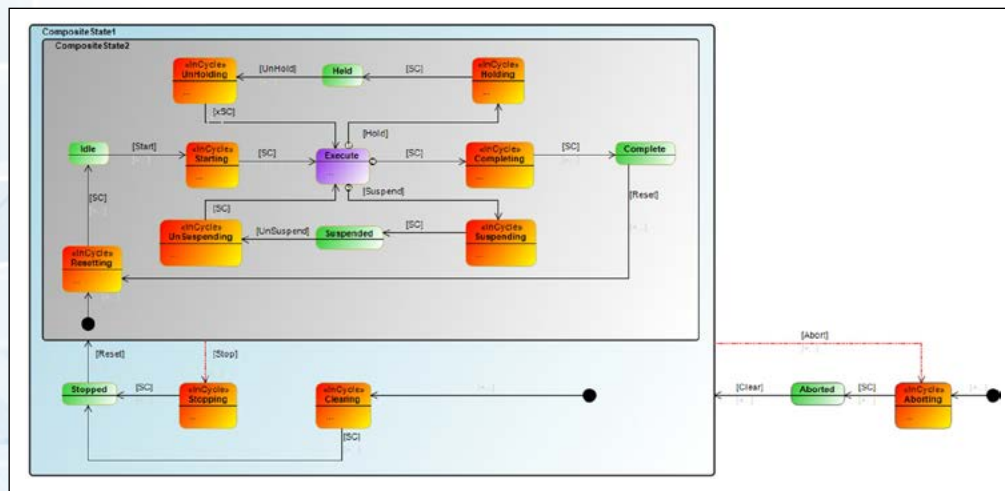


Figure 2: Example to see the advantages of the implementation language UML State chart.

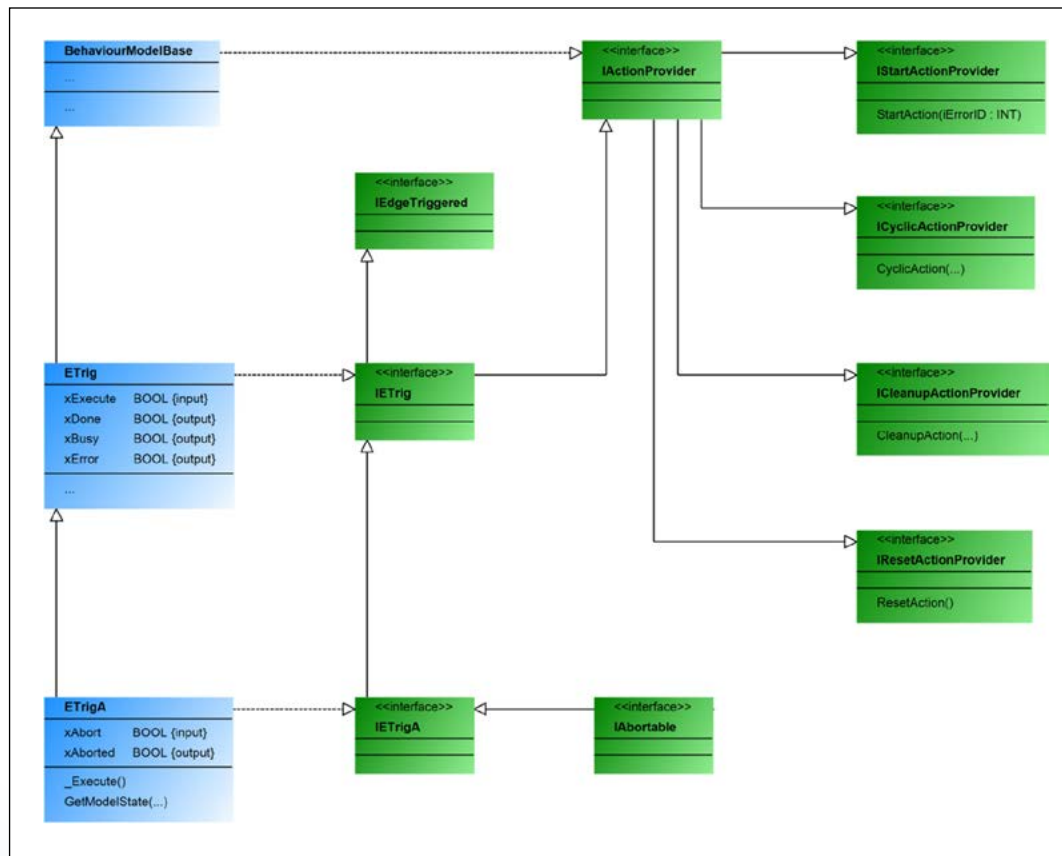


Figure 3: Example of how to analyze existing code with UML Class Diagram.

System requirements and restrictions

Programming System	CODESYS Development System V3.5.5.0
Target System	CODESYS Control V3.5.5.0
Supported Platforms / Devices	Not applicable
Additional Requirements	CODESYS Training V3 Object Oriented Programming
Restrictions	Only applies for V3
Licensing	Not applicable
Required Accessory	Laptop with IDE Installed